

CAGE POSTS



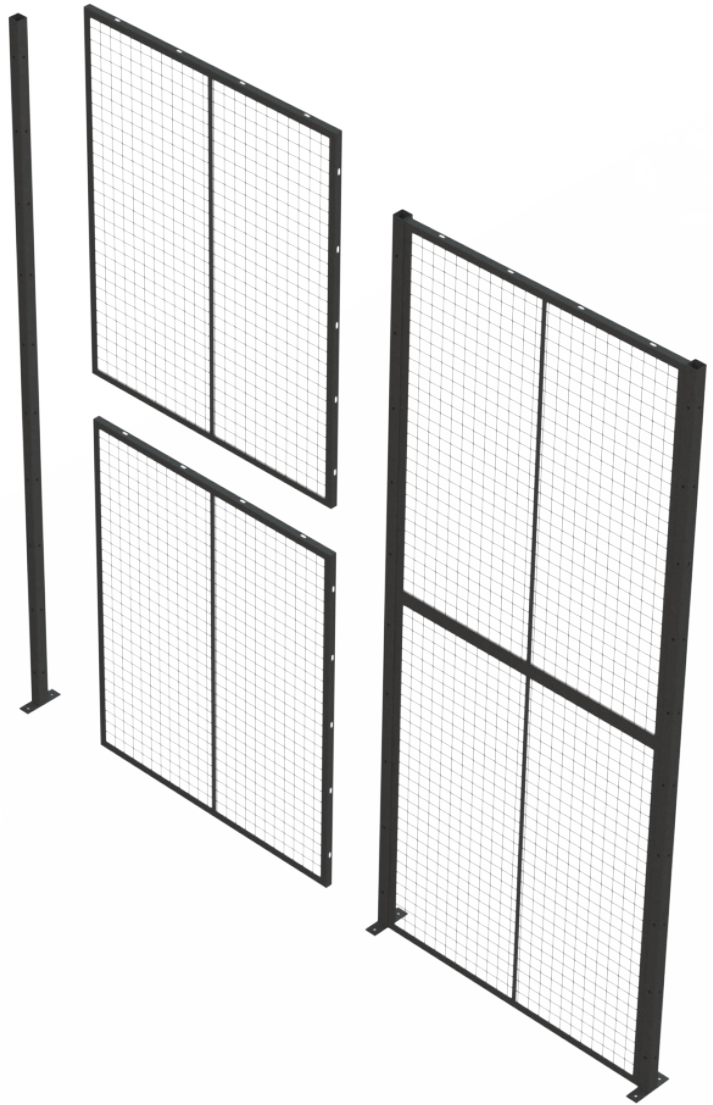
Fully Welded



Pre-drilled Holes



Modular



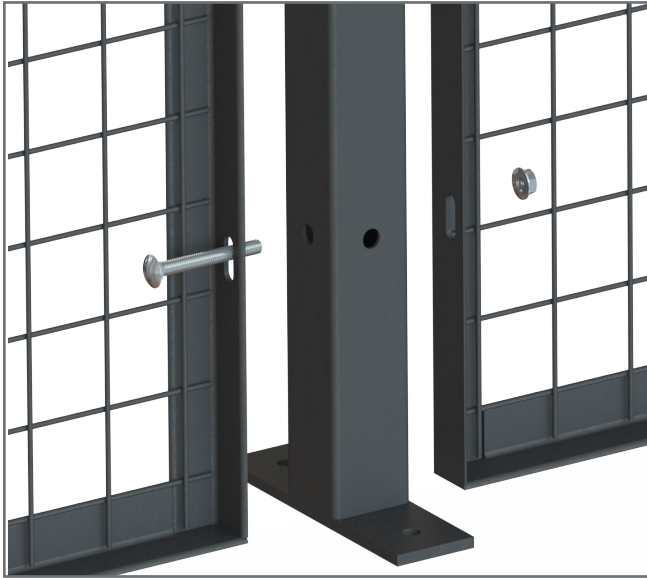
Combine the ConaTech Caging Post with panels and doors to create a securely accessible area within your space. ConaTech Caging Posts offer industrial grade strength with unparalleled quality and craftsmanship. Pre-drilled holes every 12" along the length of the post ensure easy installation. Specific corner posts are not required. Posts can be extended via internal splicer to create walls taller than 10ft.

Standard Features

- Welded Baseplate
- Pre-drilled Holes 12" O.C.
- Optional Baseplates
- Panels Bolt to Posts w/o Drilling
- Available in Many Sizes
- Powder-coated Finish
- Special Configurations Available for Doors

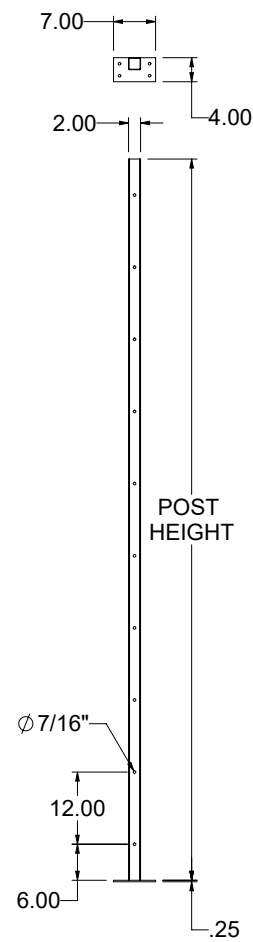
POST OVERVIEW

Dimensions & Options

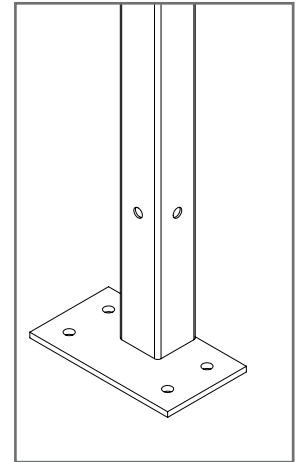


Exploded Cage Panel to Post Connection

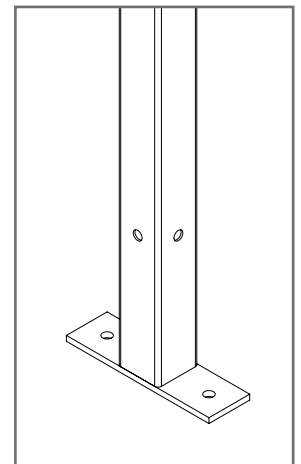
Cage panels are through-bolted to posts and other panels with a 5/16"-18 x 2-3/4" Carriage Bolt and 5/16"-18" Flanged Hex Head Nut.



Dimensions



4" x 7" Baseplate



2" x 7" Baseplate

Technical Specifications

Post

2" x 2" x 14ga (.083") Steel Tube

Baseplate

2" x 7" x 1/4" Steel Plate or 4" x 7" x 1/4" Steel Plate

Connection Hardware

5/16"-18 Carriage Bolts w/Flanged Nuts, Zinc-Plated

Anchor Options

Stud Anchor, 3/8" x 3", Zinc-Plated

Screw Anchor, Tamper-Resistant, 45TXH, 3/8" x 3", Zinc-Plated

Finish

Polyester Powder-Coat, Shadow Grey Texture, (like RAL 7021)

Custom Colors Available Upon Request